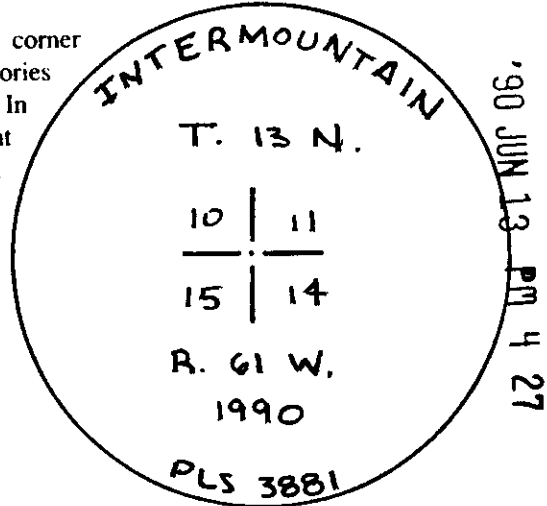


Wyoming Certified Land Corner Recordation Certificate

This form is to be completed in accordance with W.S. 36-11-101, printed in black ink or typed, and shall be for one individual corner.

Describe below, or show in sketch attached to this form, the corner evidence found. Include condition and type of monument, accessories and ties. Describe any maintenance or rehabilitation performed. In the circle to the right, show monument inscription. If monument is determined lost or obliterated, restate the GLO or BLM original field note record; describe or show the procedure used to reestablish the corner and all data as above for a found monument.



Field Date 5/10/90 Office Reference #2035

RECEIVED
 LARAMIE COUNTY
 CHEYENNE, WY.

071300

EVIDENCE FOUND. #4 REBAR
 24" LONG (NO RECORD) - CHECKED
 DISTANCES TO CORNERS 1 MILE EAST
 AND 1 MILE SOUTH - ACCEPTED REBAR FOR CORNER LOCATION.

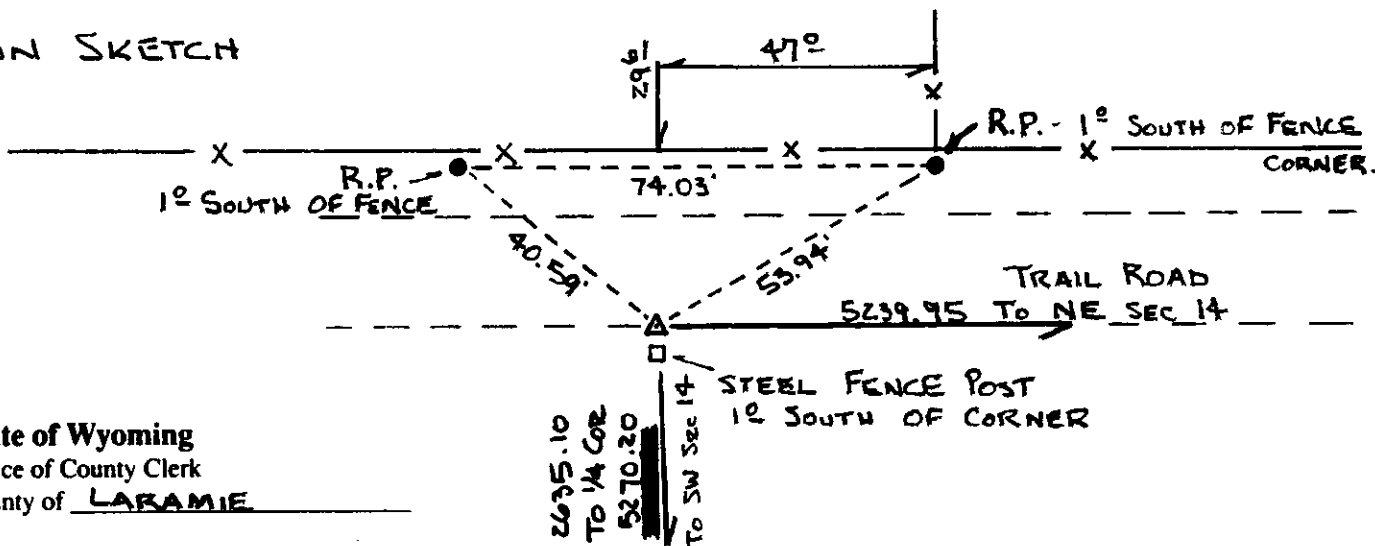
Monument Inscription

GLO RECORD - LIMESTONE 16" x 12" x 8" (FOUND BROKEN PIECES OF LIMESTONE WHEN DIGGING HOLE FOR MONUMENT)

MONUMENT SET - 3" ALUM. CAP. STAMPED AS SHOWN. SET ON 30" x 2 1/2" ALUMINUM PIPE. CAP 1 FOOT ABOVE GROUND. SURROUNDED WITH PIECES OF STONE. DROVE 6 FOOT STEEL FENCE POST 1 FOOT SOUTH OF MONUMENT.

REFERENCE POINTS SET - 1 1/2" ALUM. CAP. STAMPED ('IMPS. RP. LS 566') SET ON 24" x 5/8" REBAR. LOCATION AS SHOWN.

LOCATION SKETCH



State of Wyoming
 Office of County Clerk
 County of LARAMIE

This Certified Land Corner Recordation Certificate was filed for record on the ___ day of _____, 19 __, in Book No. T 13 N, R 61 W, on Alpha-Numeric coordinates J-17 and was noted on the Cross Index Plat.

County Clerk

Corner Type:
 Aliquot Corner Other

Section(s) 10 | 11
15 | 14

Meridian 6TH P.M.

Corner Name SECTION COR.

Township 13 N.

Range 61 W

Page _____

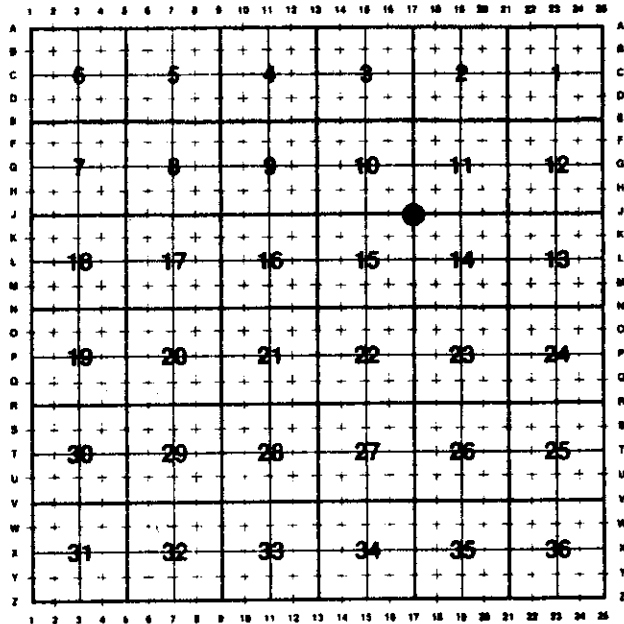
Sheet ___ of ___

Directions for using the Cross Index Plat

Section, quarter and sixteenth corners will be marked with a dot at the corner location. The alpha-numeric coordinate number is then determined for the intersection of the two lines. A corner that applies to two or more townships shall be filed under all that apply by the use of photo copies.

Closing corners will be indexed under the township in which they control ownership. For 1/64, 1/256, 1/1024 and non-aliquot corners lying between grid designations, mark the appropriate grid area with a dot and use the index code to the north and west (local systems may be used if the method is approved by the County Surveyor or Clerk and a written description of its use is filed in the front of each book of certificates).

Cross Index Plat



State Plane Coordinates (optional)

Zone W WC EC E feet/meters

NAD 1927 NGVD 1929 NAD 1983 NAVD 1988

North (Y) = _____ East (X) = _____ EL = _____

Latitude _____ Longitude _____

Scale Factor _____ Geoid Height _____

Certification

we, BECKY J. BRAMAN & WILLIAM D. BRAMAN Wyoming PLS-~~DE~~ ³⁸⁸¹ 566 certify that I, or others under my supervision, have performed the work as described above and completed this form.

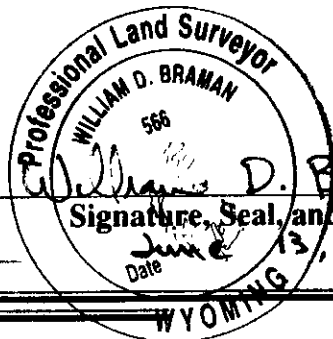
Company or Agency INTERMOUNTAIN PROFESSIONAL SERVICES, INC

Mailing Address 1816 CENTRAL AVE

Street Address " "

City, State, ZIP CHEYENNE, WYOMING 82001

Telephone, FAX PH 632-3583 FAX 632-3194



Sheet _____ of _____